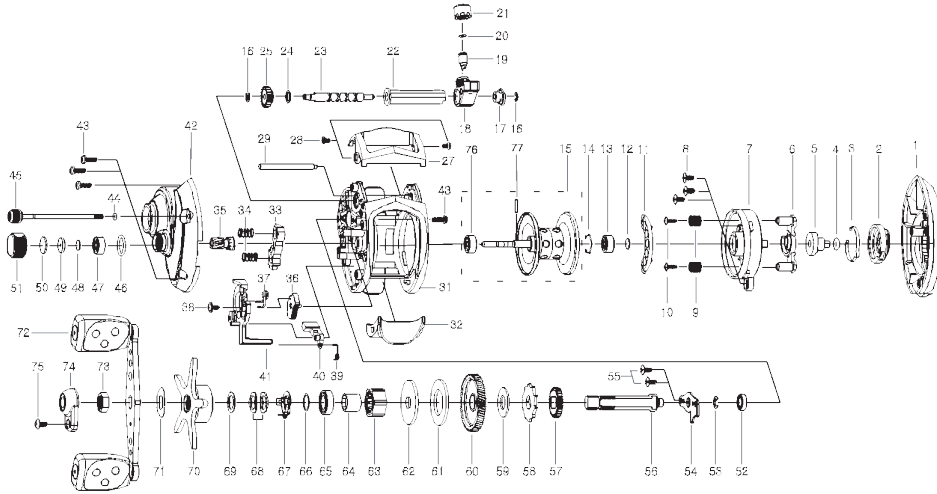


- 1 1138836
- 2 1134430
- 3 1134431
- 4 1134432
- 5 1134433
- 6 1134434
- 7 1138838
- 8 1134436
- 9 1134437
- 10 1134438
- 11 1134439
- 12 1134440
- 13 1134485
- 14 1134442
- 15 1134443
- 16 1104799
- 17 1134444
- 18 1134486
- 19 1134446
- 20 1134447
- 21 1134487
- 22 1095574
- 23 1138839
- 24 1134150
- 25 1134451
- 27 1138841
- 28 1134453
- 29 1134454
- 31 1138844
- 32 1138847
- 33 1138849
- 34 1104810
- 35 1138852
- 36 1160976
- 37 1160977
- 38 1134460
- 39 1138854



- 40 1138855
- 41 1160978
- 42 1138858
- 43 1134492
- 44 1134465
- 45 1134493
- 46 1104812
- 47 1134494
- 48 1095593
- 49 1104813
- 50 1104814
- 51 1104815
- 52 1134467
- 53 1134468
- 54 1134469
- 55 1104820
- 56 1138860
- 57 1065960
- 58 1134471
- 59 1065962
- 60 1138861
- 61 1134473
- 62 1134474
- 63 1134475
- 64 1134476
- 65 1134477
- 66 1134478
- 67 1104824
- 68 1065971
- 69 1134497
- 70 1138863
- 71 1065974
- 72 1141285
- 73 1138865
- 74 1134500
- 75 1134501
- 76 1161132
- 77 1161136

Please specify reel model number and number in reel foot when ordering parts.

Vid beställning av reservdelar bör alltid rulltyp och nummerbeteckning under rullfoten anges

Ambassadeur Silver Max LH 18 01

1137029, 1157037 34-12574-2

パーツID	パーツ名	価格
1138836	RIGHT SIDE PLATE LH (K)	¥1,500
1134430	MAG DIAL	¥300
1134431	CLICK SPRING	¥100
1134432	O-RING	¥50
1134433	CAM CURVE A	¥100
1134434	CAM CURVE B	¥150
1138838	LINE REJECTER (K)	¥1,000
1134436	SCREW	¥50
1134437	COIL SPRING	¥50
1134438	SCREW	¥50
1134439	MAGNET HOLDER	¥200
1134440	WASHER	¥50
1134485	BALL BEARING	¥600
1134442	LOCK RING	¥50
1134443	SPOOL	¥3,000
1104799	OSCILLATE PINION GEAR RETAINER	¥50
1134444	BUSHING	¥70
1134486	LINE GUIDE	¥500
1134446	PAWL	¥300
1134447	WASHER	¥50
1134487	LINE GUIDE NUT	¥70
1095574	WORM SHAFT GUIDE(1116395)	¥300
1138839	WORM SHAFT	¥1,000
1134450	WASHER	¥50
1134451	GEAR	¥100
1138841	FRONT COVER	¥500
1134453	SCREW	¥50
1134454	LINE GUIDE SHAFT	¥150
1138844	FRAME (SILVER MAX-L)	¥2,000
1138847	THUMBAR (K)	¥300
1138849	YOKE (K)	¥100
1104810	PINION YOKE COIL SPRING	¥50
1138852	PINION	¥1,000
1160976	FLIPPING SWITCH (K)	¥200
1160977	CLUTCH SPRING (K)	¥160
1134460	SCREW	¥50
1138854	SPRING (K)	¥50
1138855	KICK LEVER	¥150
1160978	CLUTCH CAM (K)	¥300
1138858	LEFT SIDE PLATE (SILVER MAX-L)	¥2,000
1134492	SCREW	¥50
1134465	O-RING	¥50
1134493	THUMBAR SCREW	¥200
1104812	O-RING	¥50
1134494	BALL BEARING (1117126,1120484)	¥600
1095593	SPOOL TENSION WASHER A(1116397)	¥50
1104813	SPOOL TENSION COLLAR	¥50
1104814	SPOOL CUSHION WASHER	¥50
1104815	SPOOL TENSION KNOB	¥600
1134467	BALL BEARING	¥600
1134468	RETAINER	¥50

パーツID	パーツ名	価格
1134469	MAIN GEAR SHAFT PLATE	¥200
1104820	CRANK SHAFT BEARING PLATE SCREW	¥50
1138860	MAIN GEAR SHAFT (K)	¥1,000
1065960	O/S GEAR	¥100
1134471	RATCHET	¥150
1065962	SPACER WASHER STBC400	¥50
1138861	MAIN GEAR (K)	¥1,500
1134473	DRAG WASHER	¥70
1134474	PRESSURE WASHER	¥150
1134475	IAR BEARING	¥800
1134476	IAR SLEEVE	¥200
1134477	BALL BEARING	¥600
1134478	WASHER	¥50
1104824	LEAF SPRING ASSEMBLY	¥300
1065971	SPRING WASHER	¥50
1134497	WASHER	¥50
1138863	STAR WHEEL (C)	¥1,200
1065974	HANDLE SPRING WASHER MCH200 BCAST	¥50
1141285		
1138865	HANDLE NUT	¥100
1134500	HANDLE NUT COVER	¥300
1134501	SCREW	¥50
1161132	BALL BEARING (K) (1104793,1161134)	¥600
1161136		