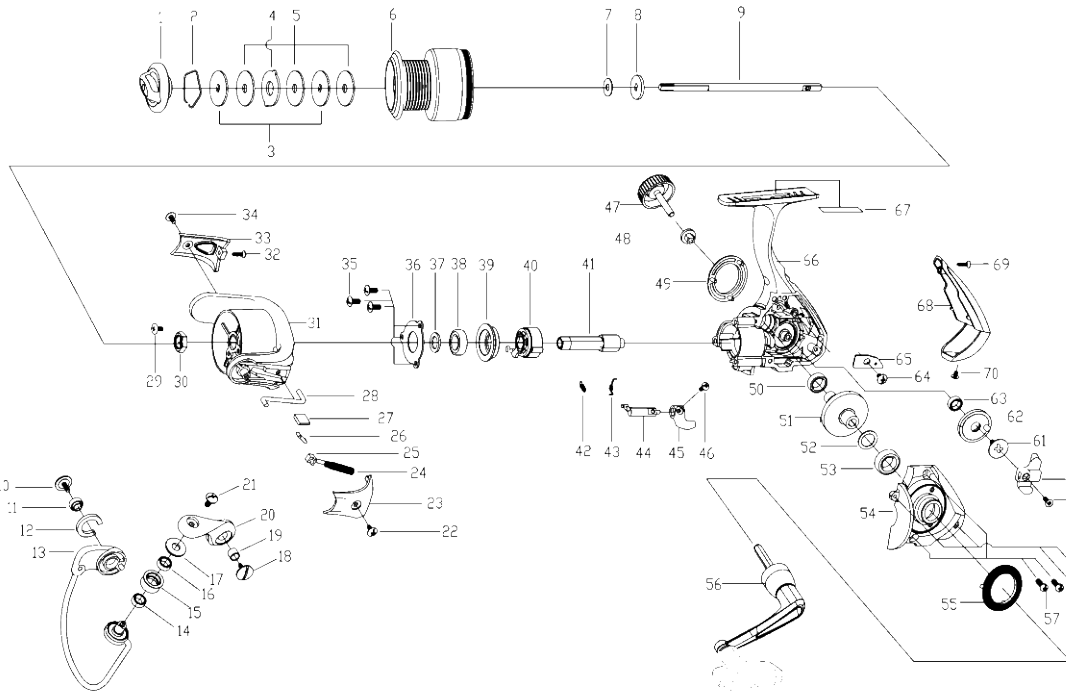


C203i J

- 1 1243093
- 2 1085295
- 3 1085296
- 4 1085297
- 5 1085298
- 6 1243095
- 7 1102115
- 8 1085271
- 9 1118075
- 10 1102128
- 11 1102129
- 12 1118077
- 13 1188397
- 14 1111909
- 15 1092773
- 16 1118080
- 17 1192852
- 18 1102128
- 19 1102065
- 20 1243097
- 21 1085322
- 22 1092845
- 23 1188453
- 24 1114721
- 25 1085330
- 26 1102136
- 27 1118084
- 28 1118086
- 29 1085900
- 30 1085273
- 31 1243099
- 32 1102139
- 33 1188463
- 34 1092845
- 35 1092844
- 36 1102143



- 37 1114764
- 38 1085280
- 39 1115558
- 40 1102144
- 41 1118093
- 42 1102146
- 43 1111490
- 44 1102148
- 45 1243102
- 46 1092777
- 47 1188468
- 48 1092781
- 49 1243104
- 50 1092725
- 51 1188420
- 52 1085287
- 53 1085308
- 54 1243105
- 55 1243104
- 56 1243107
- 57 1085599
- 58 1126084
- 59 1085341
- 60 1118101
- 61 1188428
- 62 1188429
- 63 1098658
- 64 1119121
- 65 1118105
- 66 1243110
- 67 1117987
- 68 1243112
- 69 1117984
- 70 1102076

パ-ツID	パ-ツ名	価格
1243093	OB))DRAG KNOB ASSY (C)	¥700
1085295	RETAINER RING	¥50
1085296	WASHER	¥50
1085297	WASHER	¥50
1085298	WASHER	¥50
1243095	OB))FORGED SPOOL ASSY (C)	¥1,400
1102115	OB))CLICK GEAR WASHER	¥160
1085271	CLICK GEAR	¥100
1118075	OB))MAIN SHAFT	¥500
1102128	OB))SCREW	¥100
1102129	OB))BUSHING	¥50
1118077	OB))BALANCE BLOCK (C)	¥50
1188397	OB))BAIL ASSY (C)	¥700
1111909	BUSHING (C)	¥160
1092773	OB))LINE ROLLER (C)	¥400
1118080	OB))LINE ROLLER BUSHING	¥50
1192852	OB))WASHER (C)	¥50
1102128	OB))SCREW	¥100
1102065	OB))BUSHING (1118094)	¥50
1243097	OB))BAIL ARM (C)	¥250
1085322	OB))SCREW	¥50
1092845	SCREW	¥50
1188453	OB))ROTOR COVER (C)	¥250
1114721	OB))SPRING	¥50
1085330	OB))SLIDER	¥100
1102136	OB))BAIL LEVER	¥100
1118084	OB))BALANCE BLOCK	¥50
1118086	OB))KICK LEVER	¥100
1085900	SCREW	¥50
1085273	ROTOR NUT	¥100
1243099	OB))ROTOR (C)	¥1,200
1102139	OB))SCREW S2000	¥50
1188463	OB))ROTOR COVER (C)	¥250
1092845	SCREW	¥50
1092844	SCREW	¥50
1102143	OB))BALL BEARING RETAINER	¥100
1114764	WASHER-AV S6000FD	¥50
1085280	BALL BEARING	¥600
1115558	BALL BEARING HOLDER (C)	¥200
1102144	ONE WAY CLUTCH BEARING	¥800
1118093	OB))PINION GEAR	¥500
1102146	OB))QWC BEARING SPRING	¥50
1111490	OB))SPRING	¥50
1102148	OB))ANTI-REVERSE LEVER	¥200
1243102	OB))ANTI-REVERSE BUTTON (C)	¥200
1092777	OB))SCREW	¥50
1188468	OB))HANDLE SCREW CAP (C)	¥300
1092781	WASHER	¥100
1243104	OB))COVER (C)	¥250

パ-ツID	パ-ツ名	価格
1092725	BALL BEARING	¥600
1188420	OB))DRIVE GEAR (C)	¥500
1085287	WASHER	¥50
1085308	OB))BALL BEARING (C)	¥600
1243105	OB))BODY COVER (C)	¥400
1243104	OB))COVER (C)	¥250
1243107	OB))HANDLE ASSY (C)	¥1,500
1085599	SCREW	¥50
1126084	SCREW (C)	¥50
1085341	SCREW	¥50
1118101	OB))SLIDER C502/503	¥300
1188428	SCREW (C)	¥160
1188429	OB))OSCILLATION GEAR (C)	¥300
1098658	OB))BALL BEARING	¥600
1119121	OB))SCREW	¥50
1118105	SLIDER RETAINER	¥250
1243110	OB))BODY (C)	¥1,400
1117987	OB))BODY DECORATION PLATE (C)	¥100
1243112	OB))REAR COVER (C)	¥300
1117984	SCREW C102/302	¥50
1102076	OB))SCREW	¥50