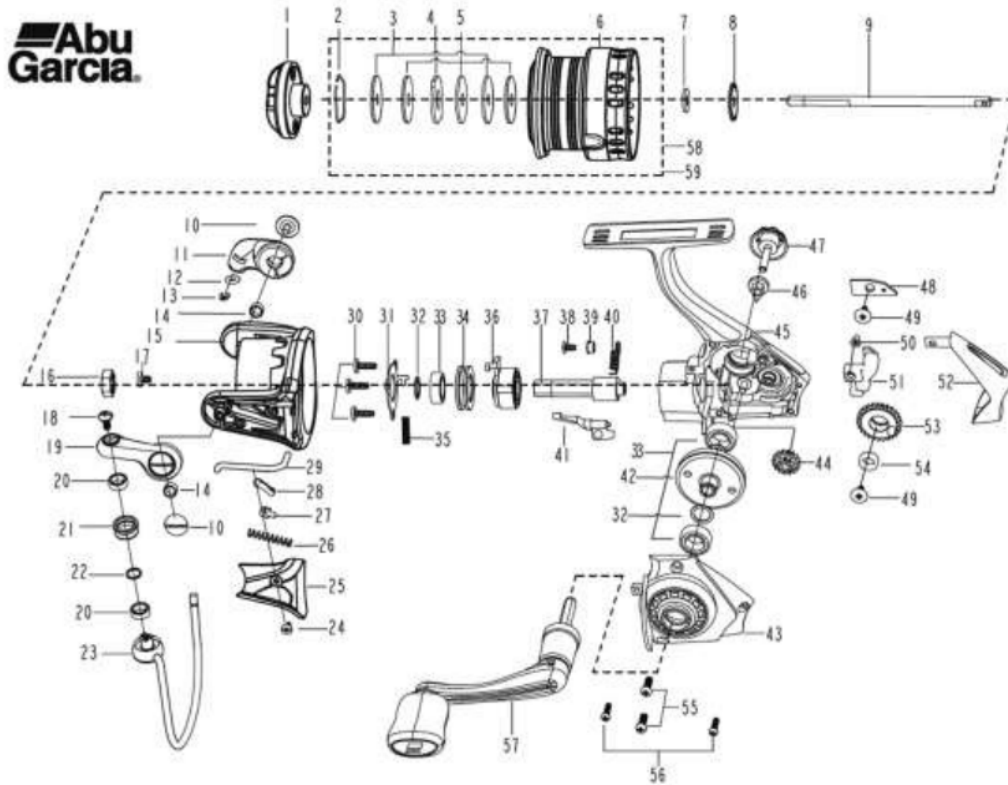


1429975 CARDINAL II

CARDINAL II STX2500S



パーツID	パーツ名	価格
1	DRAG KNOB ASSEMBLY	¥600
2	RETAINER RING	¥50
3	WASHER	¥50
4	WASHER	¥50
5	WASHER	¥50
6	SPOOL	¥1,200
7	WASHER (T=0.5)	¥200
8	CLICK GEAR	¥100
9	MAIN SHAFT	¥500
10	SCREW	¥100
11	BAIL HOLDER	¥300
12	O-RING	¥160
13	E-CLIP	¥160
14	BUSHING	¥160
15	ROTOR	¥1,100
16	ROTOR NUT	¥100
17	SCREW	¥50
18	BAIL ARM SCREW	¥200
19	BAIL ARM	¥400
20	BALL BEARING	¥600
21	LINE ROLLER	¥300
22	WASHER	¥50
23	BAIL ASSEMBLY	¥600
24	SCREW	¥200
25	ROTOR COVER	¥200
26	SPRING	¥50
27	BAIL SLIDER	¥100
28	TRIP LINKAGE	¥160
29	BAIL TRIP LEVER	¥200
30	SCREW	¥50
31	PINION COVER	¥200
32	WASHER	¥50
33	BEARING	¥800
34	BEARING HOLDER	¥400
35	CLUTCH SPRING	¥160
36	CLUTCH ASSEMBLY	¥800
37	PINION	¥500
38	SCREW	¥50
39	BUSHING	¥200
40	CLUTCH SWITCH SPRING	¥160
41	IAR SWITCH	¥300
42	DRIVE GEAR	¥700
43	BODY COVER	¥500
44	REDUCTION GEAR	¥300
45	BODY	¥1,700
46	WASHER	¥100
47	HANDLE CAP	¥300
48	SLIDER RETAINER	¥100
49	SCREW	¥160
50	SCREW	¥50

パーツID	パーツ名	価格
51	SLIDER	¥300
52	REAR COVER	¥400
53	OSCILLATION GEAR	¥300
54	BALL BEARING	¥600
55	SCREW	¥50
56	SCREW	¥50
57	HANDLE ASSEMBLY	¥1,500
58	SPOOL ASSEMBLY	¥2,000
59	SPARE SPOOL ASSEMBLY	¥2,000