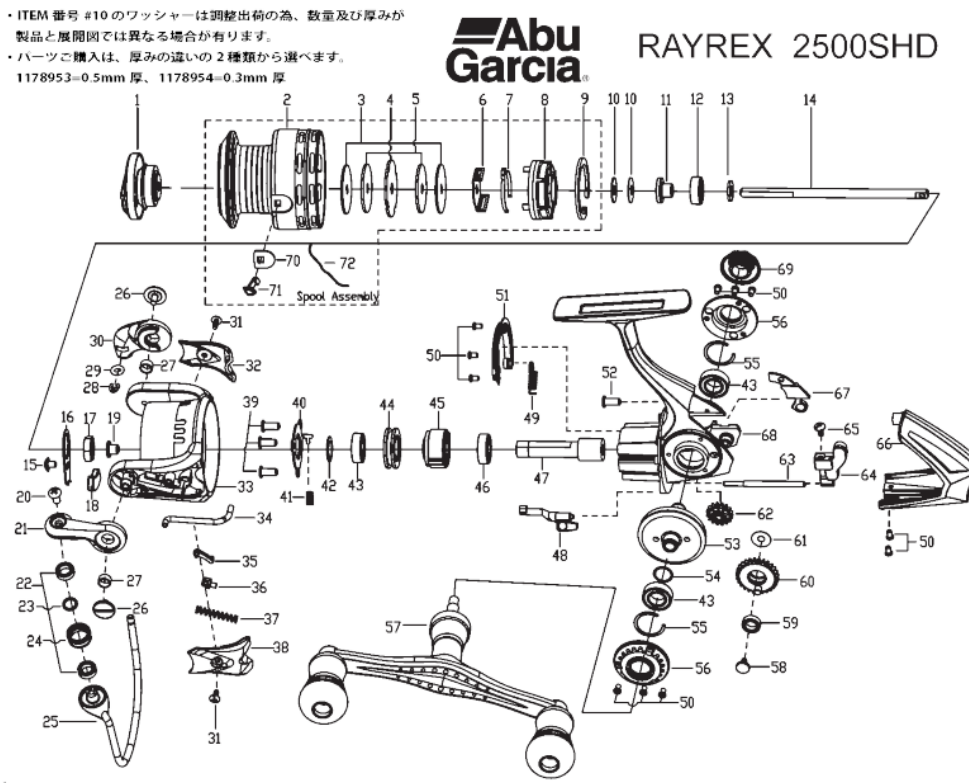


1253593 RAYREX

OB))RAYREX2500SHD

- 1 1259456
- 1259480
- 2 1259481
- 3 1259459
- 4 1259460
- 5 1126368
- 6 1252692
- 7 1252693
- 8 1252694
- 9 1252696
- 10 1178953
- 10 1178954
- 11 1252698
- 12 1252699
- 13 1252700
- 14 1259461
- 15 1126258
- 16 1252702
- 17 1259462
- 18 1252745
- 19 1259463
- 20 1126261
- 21 1259464
- 22 1112125
- 23 1110165
- 24 1259465
- 25 1252746
- 26 1126379
- 27 1188261
- 28 1252707
- 29 1252708
- 30 1259466
- 31 1125962
- 32 1252710
- 33 1259470
- 34 1252748
- 35 1252713



- 36 1126272
- 37 1119106
- 38 1252714
- 39 1126326
- 40 1252715
- 41 1252716
- 42 1114764
- 43 1259471
- 44 1252718
- 45 1252719
- 46 1259471
- 47 1252720
- 48 1259472
- 49 1252722
- 50 1252723
- 51 1252724
- 52 1085342
- 53 1252725
- 54 1085287
- 55 1252726
- 56 1252727
- 57 1259482
- 58 1252729
- 59 1108938
- 60 1252730
- 61 1252731
- 62 1252732
- 63 1252733
- 64 1252734
- 65 1126275
- 66 1252749
- 67 1259474
- 68 1259475
- 69 1252738
- 70 1259476
- 71 1252739
- 72 1252740

パーツID	パーツ名	価格
1	DRAG KNOB ASSEMBLY	¥2,000
1A	SPOOL ASSEMBLY	¥4,100
2	SPOOL	¥1,800
3	KEYED WASHER	¥200
4	SPOOL WASHER	¥200
5	WASHER	¥110
6	CLICKER HOLDER	¥200
7	SPOOL CLICKER	¥200
8	SPOOL BOTTOM	¥300
9	RETAINING CLIP	¥160
10	WASHER	¥160
10	SPARE WASHER	¥160
11	MAINSHAFT SLEEVE	¥300
12	BEARING	¥600
13	MAINSHAFT WASHER	¥160
14	MAIN SHAFT	¥800
15	SCREW	¥50
16	ROTOR SET PLATE	¥160
17	ROTOR NUT	¥160
18	BALANCE WEIGHT	¥160
19	POM BUSHING	¥160
20	SCREW	¥50
21	BAIL ARM	¥400
22	BALL BEARING	¥600
23	WASHER	¥50
24	LINE ROLLER	¥400
25	BAIL ASSEMBLY	¥1,000
26	SCREW	¥100
27	BUSHING	¥160
28	E-CLIP	¥160
29	O-RING	¥160
30	BAIL HOLDER	¥300
31	SCREW	¥160
32	BAIL HOLDER COVER	¥300
33	ROTOR	¥1,600
34	TRIP BAR	¥200
35	TRIP LINKAGE	¥160
36	BAIL SLIDER	¥100
37	SPRING	¥50
38	BAIL ARM COVER	¥300
39	SCREW	¥50
40	PINION COVER	¥200
41	CLUTCH SPRING	¥160
42	WASHER	¥50
43	BEARING 7X13X4	¥800
44	BEARING HOLDER	¥400
45	CLUTCH ASSEMBLY	¥800
46	BEARING 7X13X4	¥800
47	PINION	¥500
48	CLUTCH SWITCH	¥200

パーツID	パーツ名	価格
49	CLUTCH SWITCH SPRING	¥160
50	SCREW	¥160
51	ROTOR BRAKE	¥300
52	SCREW	¥50
53	DRIVE GEAR	¥800
54	WASHER	¥50
55	C-CLIP	¥160
56	BODY TRIM	¥300
57	HANDLE ASSEMBLY	¥4,000
58	SCREW	¥160
59	BUSHING	¥200
60	OSCILLATION GEAR	¥300
61	WASHER	¥160
62	REDUCTION GEAR	¥300
63	OSCILLATION GUIDE	¥200
64	OSCILLATION GEAR	¥300
65	SCREW	¥50
66	BODY COVER	¥1,000
67	OSCILLATION COVER	¥600
68	GEARBOX	¥1,900
69	DUST CAP	¥600
70	LINE CLIP WASHER	¥160
71	LINE CLIP	¥200
72	LINE CLIP SPRING	¥200